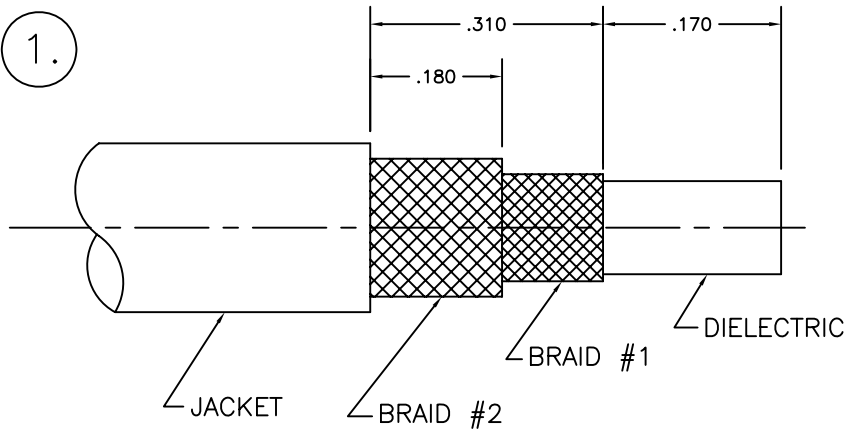


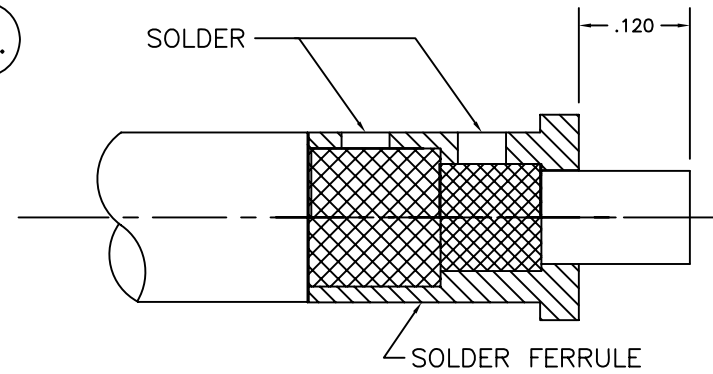
26-000-1597-40

1.



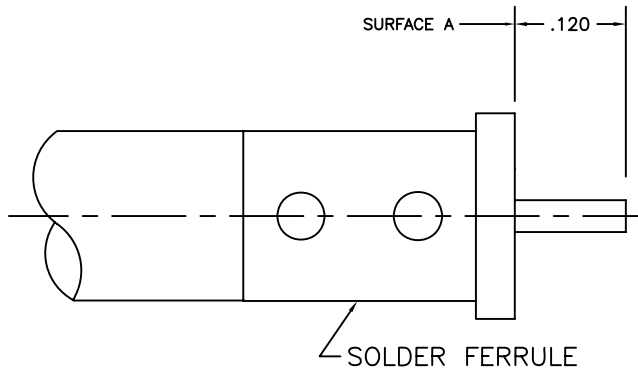
1. TRIM BRAID, DIELECTRIC, AND INNER CONDUCTOR TO DIMENSIONS SHOWN.

2.



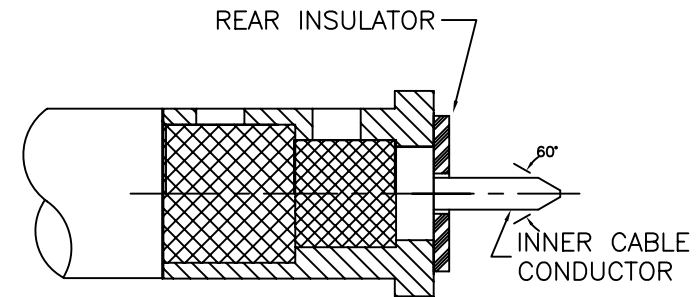
1. SLIDE SHRINK TUBING AND CLAMP NUT ON CABLE  
2. SOLDER FERRULE AS SHOWN USING 60/40.

3.



1. TRIM DIELECTRIC FLUSH TO SURFACE A

4.



1. INSTALL REAR INSULATOR

USED ON

26-000-1597-40



SRI CONNECTOR GAGE CO.  
751 NORTH DRIVE  
MELBOURNE FL. 32934

DIMENSIONS ARE IN INCHES  
TOLERANCES

DECIMALS	FRACTIONAL	ANGULAR
.X ±.030		.X° ±1°0'
.XX ±.015	± 1/64	.X°X' ±15'
.XXX ±.005		

TITLE

ASSEMBLY INSTRUCTIONS  
2.4mm PLUG  
TO  
LL 142 CABLE

DRAWN LMW

DATE

SIZE

A

FSCM NO.

OHM01

SHEET

1

USED ON

26-000-1597-40