

**NOTES:**

52-921-0003-00

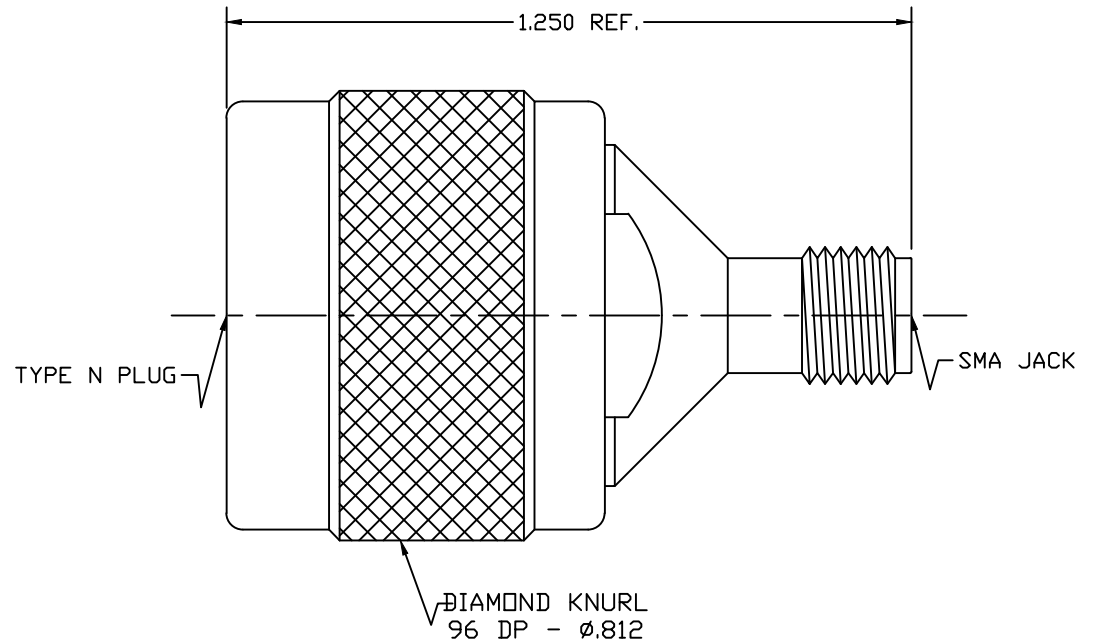
**Materials:** SST. corrosion-resistant, Non Magnetic 303, per ASTM A484 and A582. Beryllium Copper per ASTM-B-196, QQ-C-530  
PTFE Fluorocarbon per ASTM-D-1710


**Finish:** Center Conductors and solder components shall be plated per MIL-G-45204 Type II, Class 1 over Nickel plate per QQ-N-290.  
Body and Body components shall be passivated per ASTM A380.

**Frequency:** DC-18 GHz

**VSWR:** 1.15:1 MAX. TO 18 GHz

**Insertion Loss:**  $.05\sqrt{\text{Frequency}}$



LTR	DESCRIPTION	DATE	APPR.	DRAWN <i>LMW</i>	CHECKED	USED ON	 SRI CONNECTOR GAGE CO. 751 NORTH DRIVE MELBOURNE FL. 32934
-	REL	02/03		APPR.	SCALE	52-921-0003-00	
				UNLESS OTHERWISE SPECIFIED: 1. REMOVE ALL BURRS 2. BREAK ALL CORNERS & EDGES .005 R. MAX 3. CHAMFER 1st & LAST THREADS 45° 4. SURFACE FINISHED 32√ UNLESS OTHERWISE SPECIFIED. 5. DIAMETERS ON COMMON CENTERS TO BE CONCENTRIC WITHIN .002 T.I.R. 6. ALL DIMENSIONS ARE AFTER PLATING.			TITLE
				DIMENSIONS ARE IN INCHES TOLERANCES			TYPE N PLUG TO SMA JACK
				DECIMALS .X ±.030 .XX ±.010 .XXX +.005	FRACTIONAL ± 1/64	ANGULAR .X° ±1°0' .X'X' ±15'	
						SIZE A	FSCM NO. OHMO1
						SHEET 1	DWG. NO. 52-921-0003-00