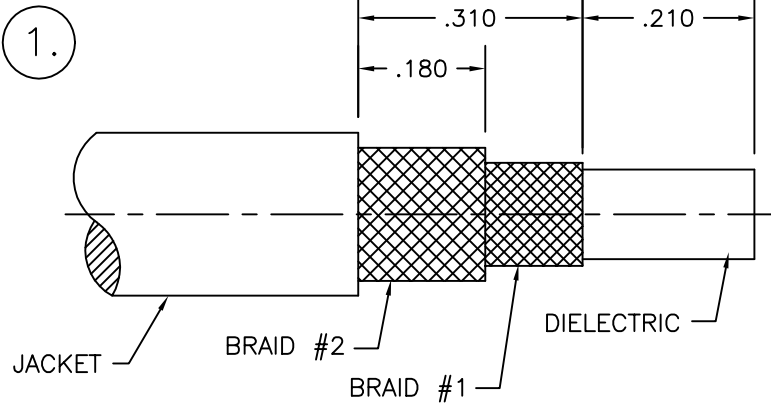
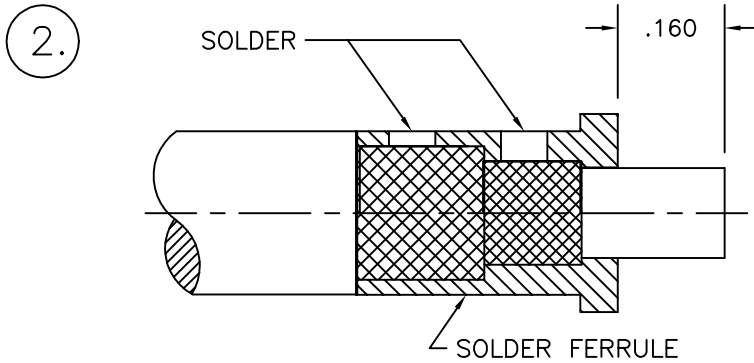


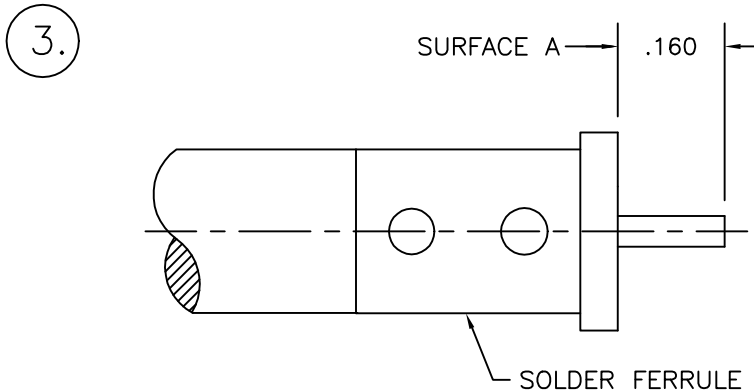
20-000-1523-00



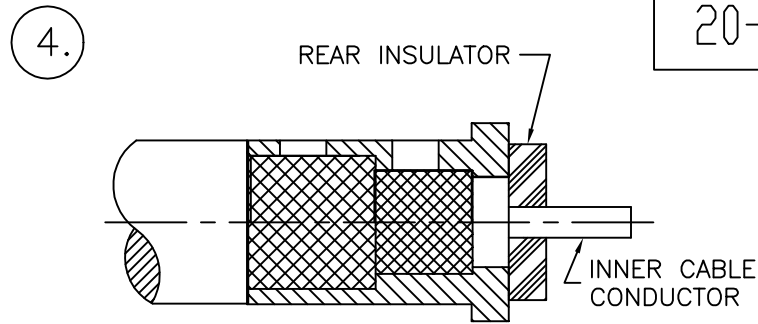
1. TRIM BRAID, DIELECTRIC, AND INNER CONDUCTOR TO DIMENSIONS SHOWN.



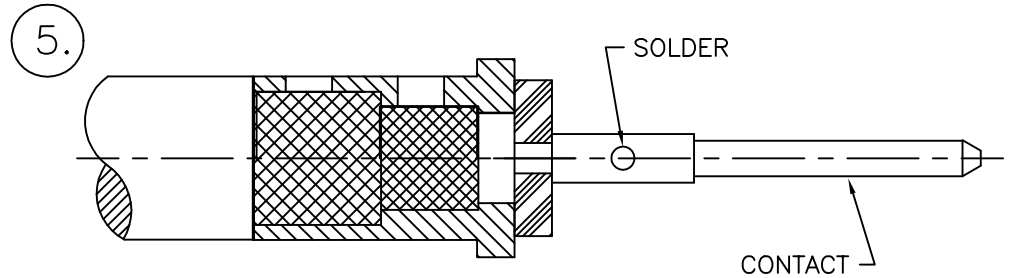
1. SLIDE SHRINK TUBING AND CLAMP NUT ON CABLE  
2. SOLDER FERRULE AS SHOWN USING 60/40.



1. TRIM DIELECTRIC FLUSH TO SURFACE A




1. INSTALL REAR INSULATOR.



1. BOTTOM CONTACT AGAINST REAR INSULATOR.  
2. SOLDER CONTACT AS SHOWN USING 60/40.

6. INSTALL CONTACT/FERRULE SUBASSEMBLY INTO BACK OF CONNECTOR. TIGHTEN CLAMP NUT TO 15 INCH LBS. SLIDE SHRINK TUBING OVER REAR OF CLAMP NUT. APPLY HEAT TO SHRINK.

USED ON 20-000-1523-00		 SRI CONNECTOR GAGE CO. 751 NORTH DRIVE MELBOURNE FL. 32934	
DIMENSIONS ARE IN INCHES TOLERANCES			
DECIMALS	FRACTIONAL	ANGULAR	
.X ±.030	± 1/64	.X° ±1°0'	
.XX ±.015		.X°X' ±15'	
.XXX +.005			
DRAWN LRH	DATE 03/00		TITLE ASSEMBLY INSTRUCTIONS SMA PLUG TO LL 120 CABLE
SIZE A	FSCM NO. □HMO□1	SHEET 1	USED ON 20-000-1523-00